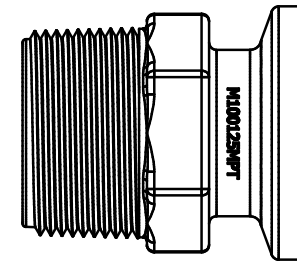
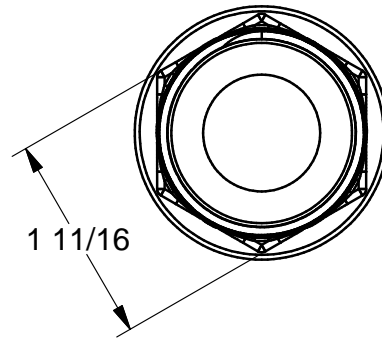
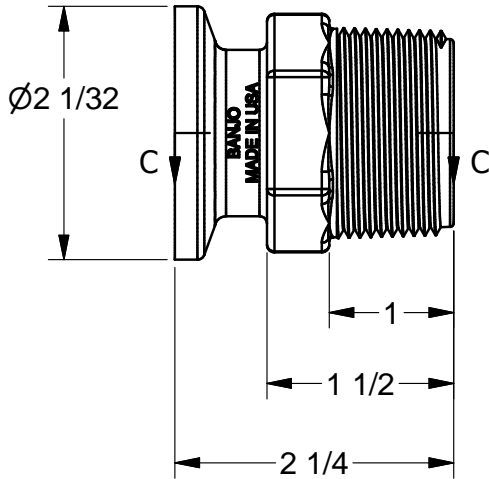


1 1/4" ANS BLUNT START  
TAPERED PIPE THD



THIS DRAWING AND ALL  
INFORMATION CONTAINED THEREON  
ARE THE EXCLUSIVE PROPERTY OF  
BANJO CORPORATION.

UNLESS SPECIFICALLY NOTED, THIS  
DRAWING AND ITEMS SHOWN ON  
THIS DRAWING ARE SUBJECT TO  
CHANGE AT ANY TIME.



**BANJO CORPORATION**  
150 BANJO DRIVE, CRAWFORDSVILLE, IN 47933  
WEB SITE: WWW.BANJOCORP.COM  
E-MAIL: BANJOSALES@IDEXCORP.COM

DESCRIPTION  
1" MANIFOLD FLG. X 1 1/4" MALE NPT

PART NUMBER  
M100125MPT